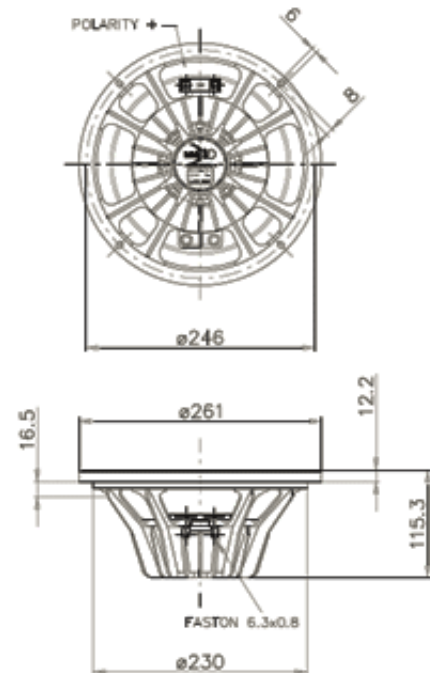




10PR300 Professional Series



NOMINAL SPECIFICATIONS

Nominal Diameter	250 mm (10 in)
Overall Diameter	261 mm (10.28 in)
Bolt Circle Diameter	246 mm (9.69 in)
Baffle Cutout Diameter	232 mm (9.13 in)
Depth	115.3 mm (4.54 in)
Flange and Gasket Thickness	12.2 mm (0.48 in)
Net Weight	2.1 Kg (4.62 lb)
Shipping Box (Single Carton Box)	305x305x185 mm (12x12x7.28 in)
Shipping Weight	2.8 Kg (6.16 lb)

ELECTRICAL SPECIFICATION

Nominal Impedance	8 Ohm
Minimum Impedance	6.4 Ohm
AES Power Handling *	300 W
Maximum Power Handling **	600 W
Sensitivity (1W/1m)	98 dB
Frequency Range	60÷5000 Hz
Voice Coil Diameter	65 mm (2.5 in)
Winding Material	Al
Former Material	Glass Fiber
Winding Depth	12.5 mm (0.49 in)
Magnetic Gap Depth	8 mm (0.31 in)
Flux Density	1.25 T
Magnet	Neodymium Slug
Demodulation	No
Suspension ***	M-Roll

THIELE & SMALL PARAMETERS

Fs	60 Hz
Re	5.4 Ohm
Qes	0.29
Qms	5.81
Qts	0.27
Vas	36.7 dm ³ (1.3 ft ³)
Sd	322 cm ² (49.9 in ²)
Xmax ****	4.92 mm
Xdamage *****	14 mm
Mms	28.2 g
Bl	14.1 N/A
Le	0.6 mH
Mmd	24.9 g
Cms	0.25 mm/N
Rms	1.83 Kg/s
Eta Zero	2.67 %
EBP	207 Hz

NOTES

Spider Profile: 1x variable height waves

(*) 2 Hours Test According to AES 2-1984 Rev. 2003

(**) Maximum power is defined as 3dB greater than nominal power.

(***) Treated Polycotton

(****) $X_{max} = [(winding\ depth - magnetic\ gap\ depth) / 2] + (magnetic\ gap\ depth / 3)$

(*****) Maximum excursion before permanent damage

CURVES

